

# Installation instructions for PZ4AL-03870-00

## Toyota Camry

Under Run Protective Shield engine bay and transmission case



Model Year: 2001

Vehicle Code:

Part Number: PZ4AL-03870-00



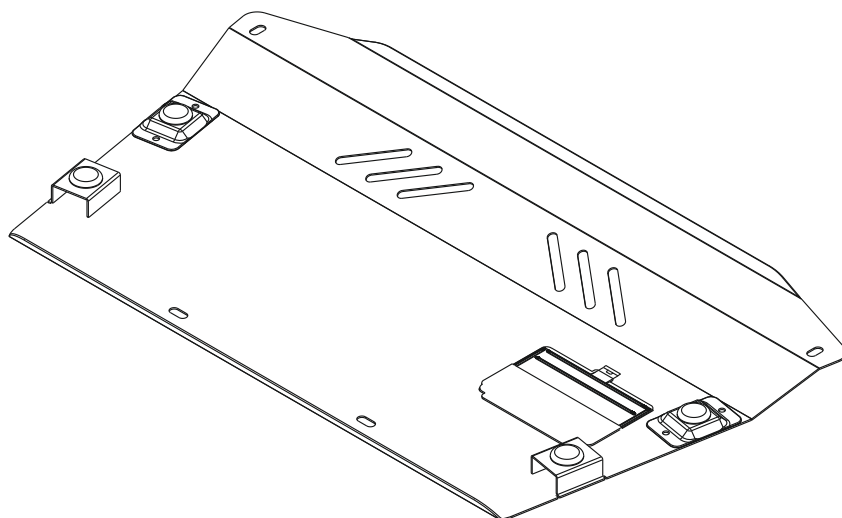
Weight: 9,85 kg



Installation Time: 25 min

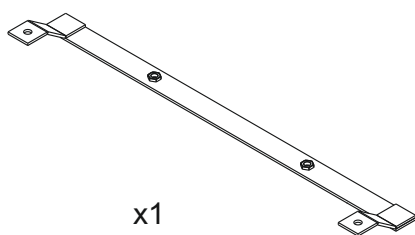
Manual reference number:

**A**



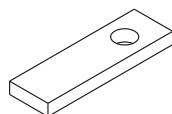
PZ4AL- 03870- 60

**B**



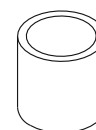
x1

**C**



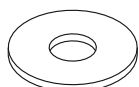
x4

**D**



x2

**E**



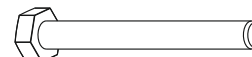
6x Ø10

**F1**

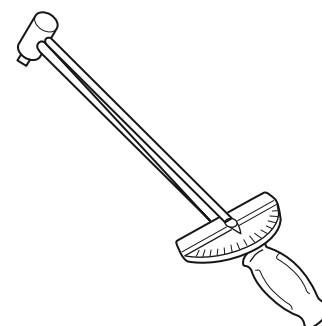
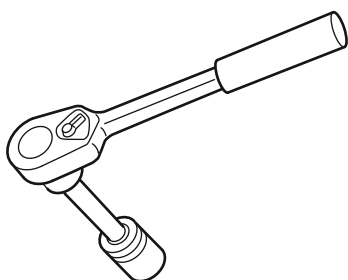


2x M 10x20

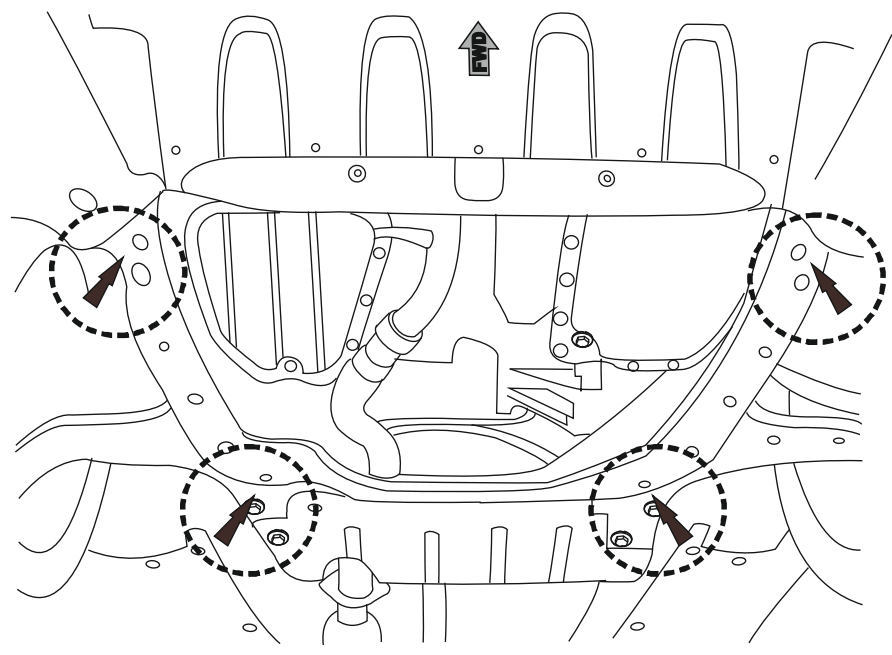
**F2**



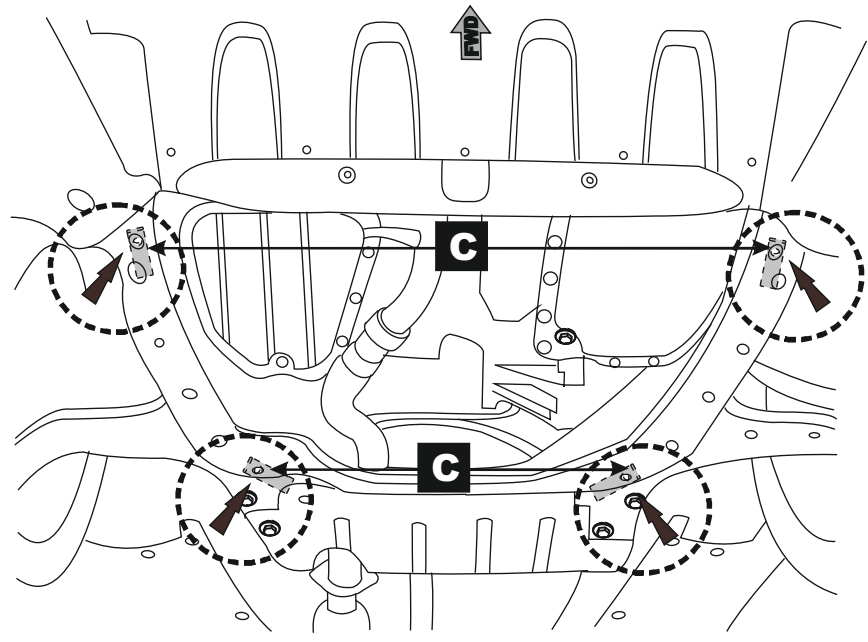
4x M 10x60



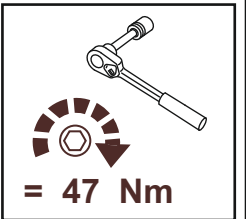
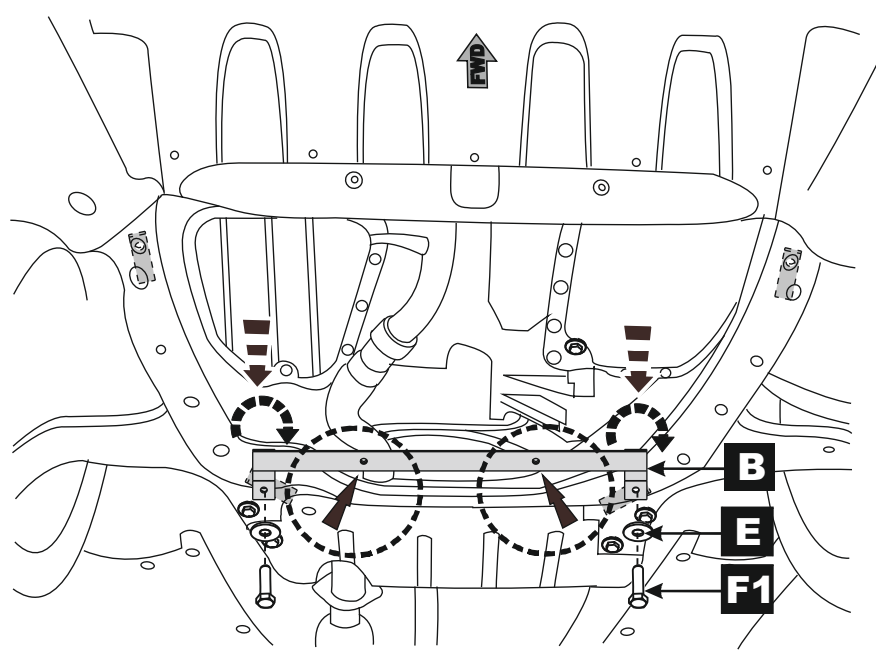
**1**



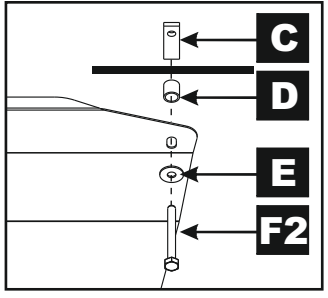
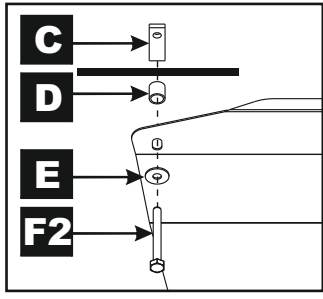
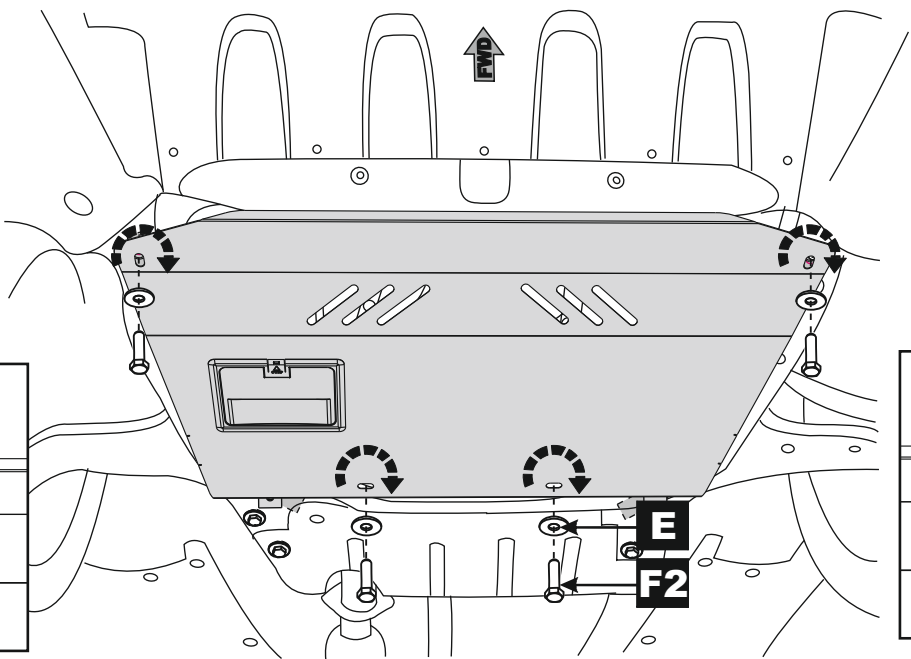
**2**



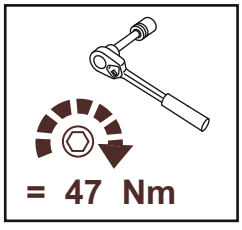
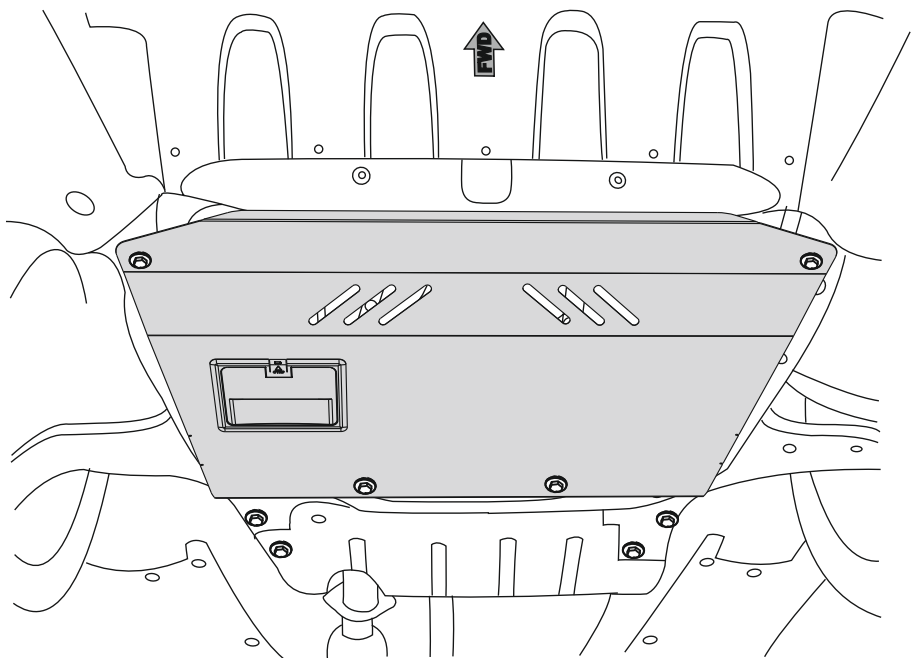
**3**



**4**



**5**



**6**

