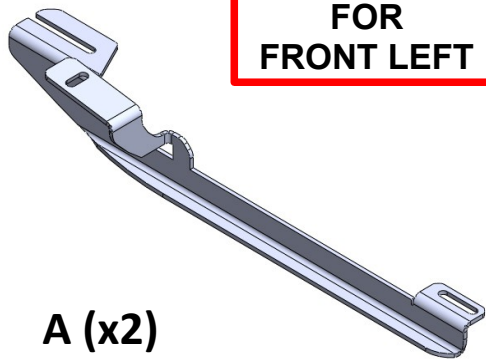
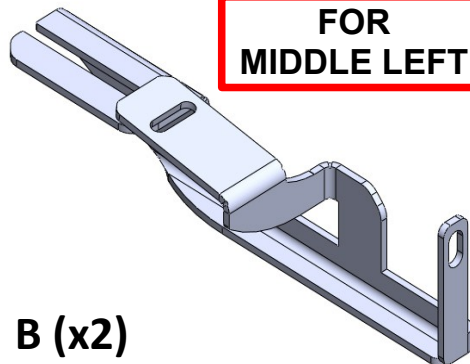


FOR
FRONT LEFT



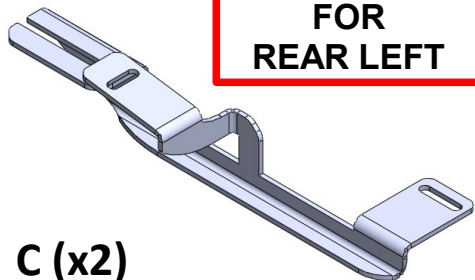
A (x2)

FOR
MIDDLE LEFT



B (x2)

FOR
REAR LEFT



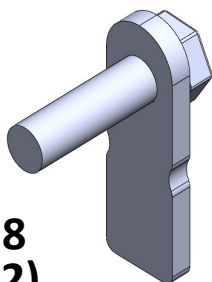
C (x2)



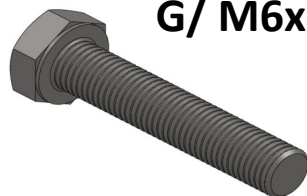
D (x2)



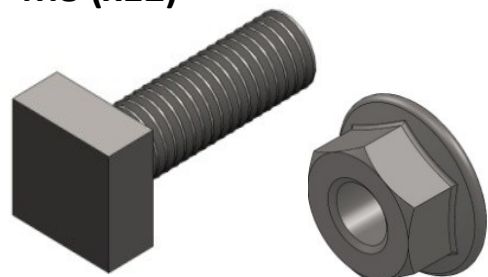
M8
E (x2)



F/ M8x30 (x6)
G/ M6x30 (x4)



M8 (x12)



M8 (x2)



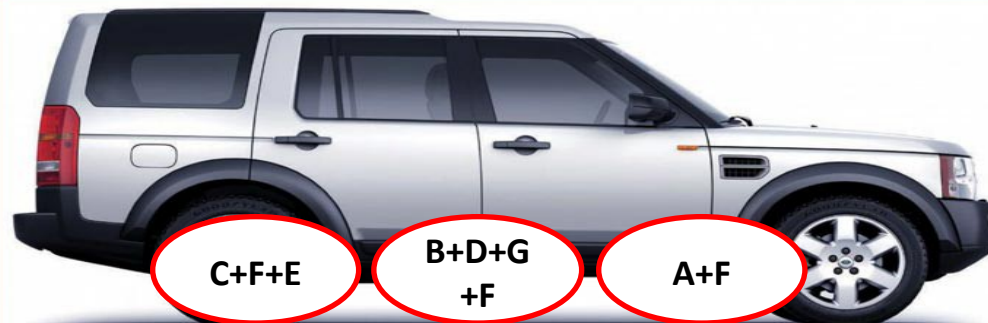
M8 (x8)



ERKUL[®]

Products & Quality

DISCOVERY III - IV RUNNING BOARD



FIRST QUALITY CERTIFICATION

ISO 9001:2008



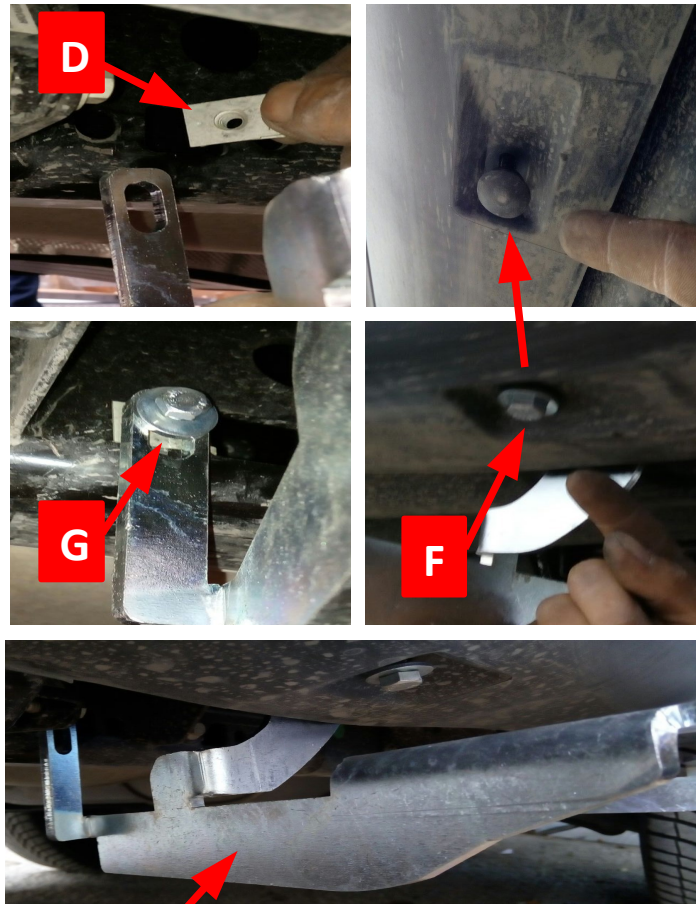
Deutsche
Akkreditierungsstelle
D-ZM-19276-01-00

instructions

FRONT BRACKET



MIDDLE BRACKET



REAR BRACKET

